

INDUCTION MOTOR

60W

□90mm

LEAD WIRE TYPE TERMINAL BOX TYPE

K9IS60F□



K9IS60F□-T, T5



SPECIFICATIONS

60W continuous rating, four poles

Model	Voltage (V)	Frequency (Hz)	Current (A)	Start T. (N·m/ Kgf·Cm)	Rated T. (N·m, Kgf·Cm)	Speed (rpm)	Condenser (μF)	
single-phase	100	50	1,36	0,38/3,8	0,47/4,7	1250	20	
		60	1,37		0,38/3,8	1550		
	110	60	1,21	0,37/3,7	0,38/3,8	1550	16	
			1,27					
	200	50	0,67	0,4/4	0,47/4,7	1250	5	
		60	0,69		0,38/3,8	1550		
	K9I□60FC(-T, -T5)	220	50	0,58	0,38/3,8	0,47/4,7	1250	4
			60	0,57		0,38/3,8	1550	
		230	50	0,63	0,4/4	0,47/4,7	1250	
			60	0,63		0,38/3,8	1550	
	K9I□60FD(-T, -T5)	240	50	0,69	0,44/4,4	0,47/4,7	1250	4
	K9I□60FT(-T, -T5)	200	50	0,49	1,35/13,5	0,45/4,5	1300	-
60			0,45	1,05/10,5	0,38/3,8	1550		
K9I□60FH(-T, -T5)	220	50	0,55	1,6/16	0,435/4,35	1350	-	
		60	0,47	1,2/12	0,37/3,7	1600		
	230	50	0,6	1,65/16,5	0,435/4,35	1350		
		60	0,52	1,3/13	0,37/3,7	1600		
	K9I□60FM(-T, -T5)	380	50	0,34	1,55/15,5	0,435/4,35		1350
			60	0,25	1,19/11,9	0,37/3,7		1600
K9I□60FV(-T, -T5)	400	50	0,37	1,85/18,5	0,435/4,35	1350		
		60	0,28	1,42/14,2	0,37/3,7	1600		
K9I□60FQ(-T, -T5)	415	50	0,26	1,45/14,5	0,45/4,5	1300		
		60	0,21	1,15/11,5	0,37/3,7	1600		
K9I□60FZ(-T, -T5)	440	50	0,28	1,6/16	0,45/4,5	1300		
		60	0,23	1,25/12,5	0,37/3,7	1600		

* □ : SHAFT SHAPE (S : STRAIGHT, P : PINION)

RATED TORQUE OF GEARHEAD

● 50Hz

unit = above : N·m / below : kgfcm

Model	Speed(rpm)	Ratio																							
		500	416	300	250	200	166	150	120	100	83	70	60	50	41	37	30	25	20	16	15	12,5	10	8,3	7,5
K9I□60F□(-T, -T5) K9P□B, BF	Ratio	3	3,6	5	6	7,5	9	10	12,5	15	18	20	25	30	36	40	50	60	75	90	100	120	150	180	200
	1,06	1,27	1,76	2,11	2,64	3,17	3,52	3,96	4,76	5,71	6,34	7,14	8,56	10,27	11,42	14,27	17,12	20	20	20	20	20	20	20	20
	10,6	12,7	17,6	21,1	26,4	31,7	35,2	39,6	47,6	57,1	63,4	71,4	85,6	102,7	114,2	142,7	171,2	200	200	200	200	200	200	200	200

● 60Hz

unit = above : N·m / below : kgfcm

Model	Speed(rpm)	Ratio																							
		600	500	360	300	240	200	180	144	120	100	90	72	60	50	45	36	30	24	20	18	15	12	10	9
K9I□60F□(-T, -T5) K9P□B, BF	Ratio	3	3,6	5	6	7,5	9	10	12,5	15	18	20	25	30	36	40	50	60	75	90	100	120	150	180	200
	0,90	1,08	1,50	1,80	2,25	2,70	3,00	3,37	4,05	4,86	5,39	6,07	7,28	8,74	9,71	12,14	14,57	16,39	20	20	20	20	20	20	20
	9,0	10,8	15,0	18,0	22,5	27,0	30,0	33,7	40,5	48,6	53,9	60,7	72,8	87,4	97,1	121,4	145,7	163,9	200	200	200	200	200	200	200

* Gearhead and decimal gearhead are sold separately.

* The code in □ of gearhead model is for gear ratio.

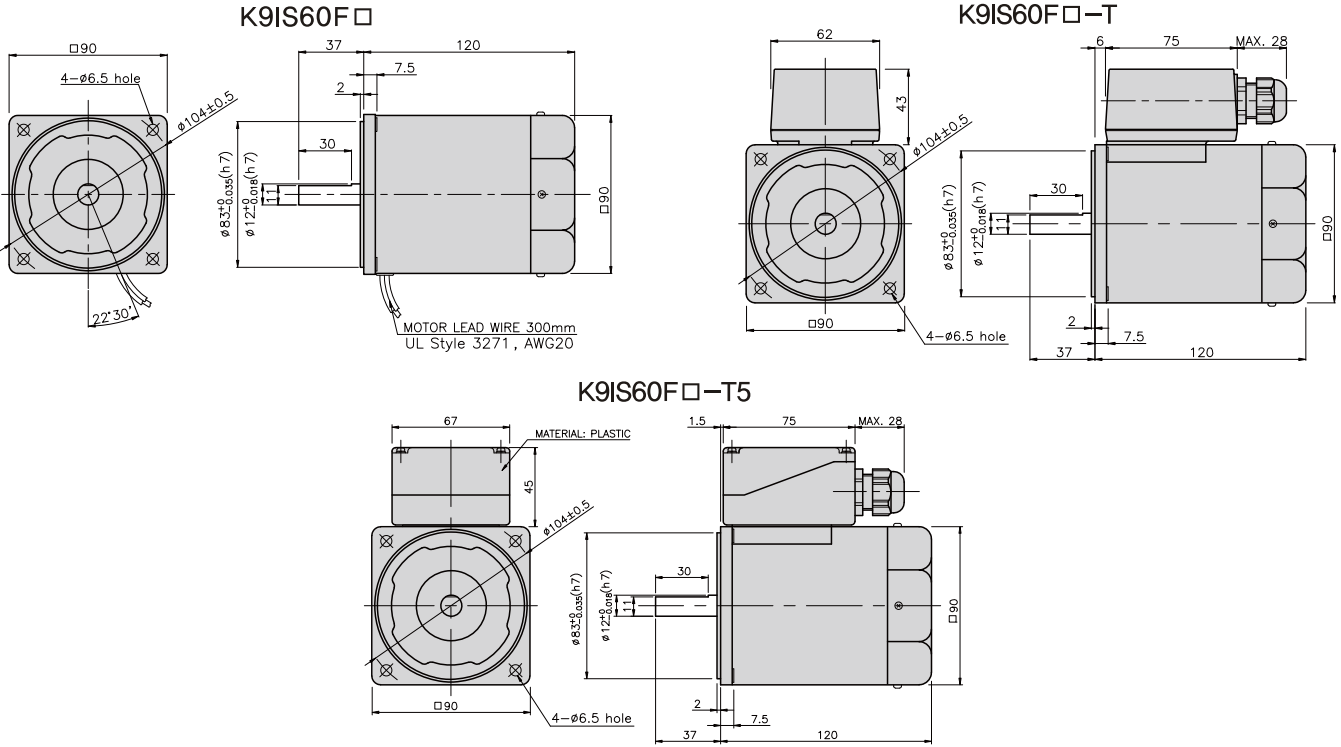
* ■ color indicates that the output shaft of the geared motor rotates in the same direction as the output shaft of the motor. Others indicate rotation in the opposite direction.

* If you are to have less ratio than the ratio in the table, you can install the decimal gearhead, which has one tenth of the ratio, between the gearhead and the motor. In this case, the permissible torque is 20N·m/200kgfcm.

* RPM is based on motor's synchronous rpm (50Hz:1500rpm, 60Hz:1800rpm) and calculated by dividing gear ratio. Actual rpm is 2~20% less than indicating rpm according to load size.

GEARHEADS

DIMENSIONS

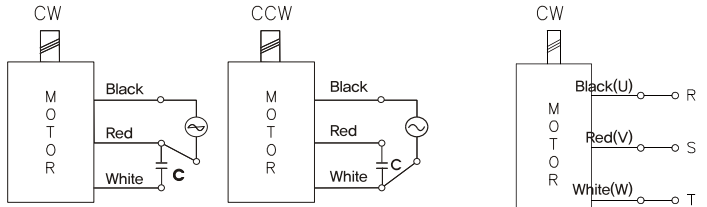


CONNECTION DIAGRAMS

K9IS60F□

single phase motor

three phase motor



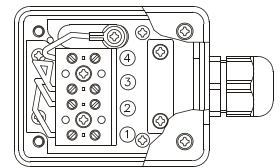
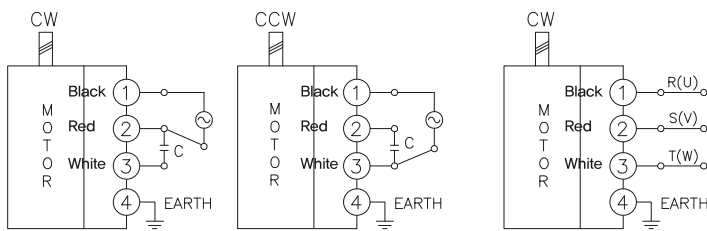
connecting two leadwires of U,V,W in turns

The direction of motor rotation is as viewed from the front shaft end of the motor

K9IS60F□-T

single phase motor

three phase motor

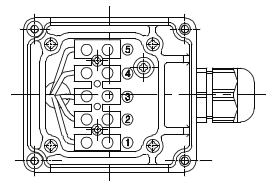
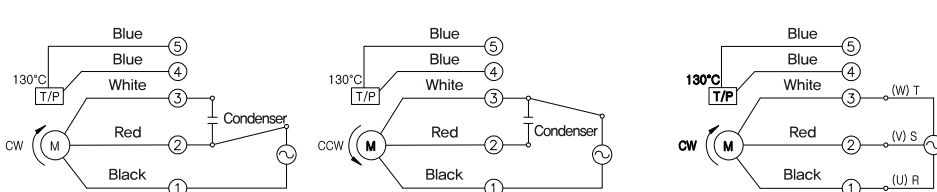


The direction of motor rotation is as viewed from the front shaft end of the motor

K9IS60F□-T5

single phase motor

three phase motor



connecting two leadwires of U,V,W in turns

The direction of motor rotation is as viewed from the front shaft end of the motor

GEARHEADS

DIMENSIONS

K9P□B

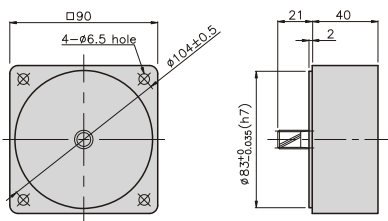


K9P□BF



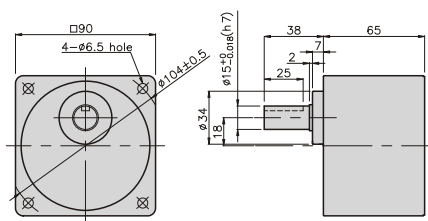
DECIMAL GEARHEAD

K9P10BX

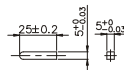


GEAR HEAD

K9P□B



• KEY

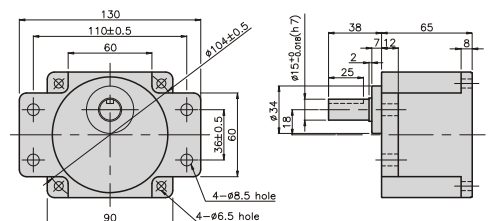


• KEY GROOVE



GEARHEAD

K9P□BF



• KEY



• KEY GROOVE



GEARHEADS

DIMENSIONS

K9IP60F□ + K9P□B



K9IP60F□ + K9P□BF



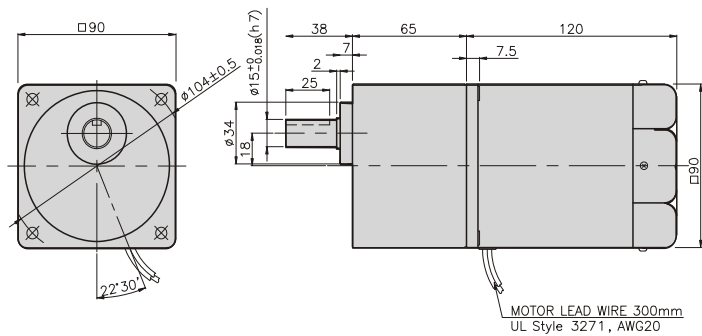
DIMENSION TABLE

PART No	L	Application Model	Mounting BOLT
01	65	K9P3~200B	M6 P1,0 X 95
02	40	K9P10BX	M6 P1,0 X 140

WEIGHT

PART	WEIGHT(kg)	
MOTOR	2,50	
DECIMAL GEAR HEAD	0,62	
GEAR HEAD	K9P3~10B	1,22
	K9P12,5~20B	1,32
	K9P25~60B	1,42
	K9P75~200B	1,45

K9IP60F□ + K9P□B



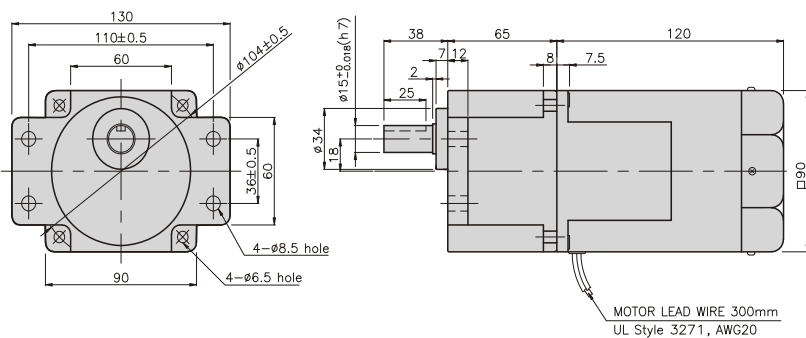
DIMENSION TABLE

PART No	L	Application Model	Mounting BOLT
01	65	K9P3~200BF	M6 P1,0 X 25
02	40	K9P10BX	M6 P1,0 X 65

WEIGHT

PART	WEIGHT(kg)	
MOTOR	3,00	
DECIMAL GEAR HEAD	0,62	
GEAR HEAD	K9P3~10BF	1,22
	K9P12,5~20BF	1,30
	K9P25~60BF	1,42
	K9P75~200BF	1,44

K9IP60F□ + K9P□BF



GEARHEADS

DIMENSIONS

K9IP60F□-T5 + K9P□B



K9IP60F□-T5 + K9P□BF



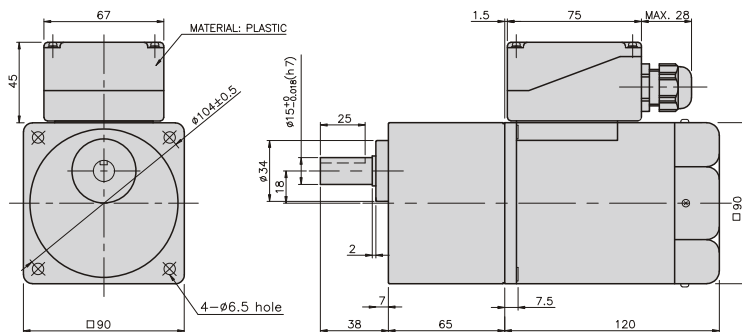
DIMENSION TABLE

PART No	L	Application Model	Mounting BOLT
01	65	K9P3~200B	M6 P1,0 X 95
02	40	K9P10BX	M6 P1,0 X 140

WEIGHT

PART	WEIGHT(kg)	
MOTOR	2,68	
DECIMAL GEAR HEAD	0,62	
GEAR HEAD	K9P3~10B	1,22
	K9P12,5~20B	1,32
	K9P25~60B	1,42
	K9P75~200B	1,45

K9IP60F□-T5 + K9P□B



DIMENSION TABLE

PART No	L	Application Model	Mounting BOLT
01	65	K9P3~200B	M6 P1,0 X 95
02	40	K9P10BX	M6 P1,0 X 140

WEIGHT

PART	WEIGHT(kg)	
MOTOR	2,68	
DECIMAL GEAR HEAD	0,62	
GEAR HEAD	K9P3~10BF	1,22
	K9P12,5~20BF	1,32
	K9P25~60BF	1,42
	K9P75~200BF	1,45

K9IP60F□-T5 + K9P□BF

